



NUCLEP



ATOMEXPO 2015

Moscow, June 1-3, 2015



Ministério da
Ciência, Tecnologia
e Inovação



SUMMARY:

- 1. NUCLEP – THE COMPANY**
- 2. NUCLEAR COMPONENTS ALREADY PRODUCED**
- 3. NUCLEAR COMPONENTS IN MANUFACTURING PROCESS FOR ANGRA 3 NPP**
- 4. COMPONENTS TO THE BRAZILIAN NAVY**
- 5. CYLINDERS FOR STORAGE AND TRANSPORTATION OF UF6**

1. NUCLEP



CREATED IN 1975

**START OF OPERATION IN
MAY, 1980**

**MINISTRY OF
SCIENCE,
TECHNOLOGY AND
INNOVATION**

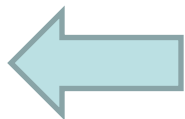
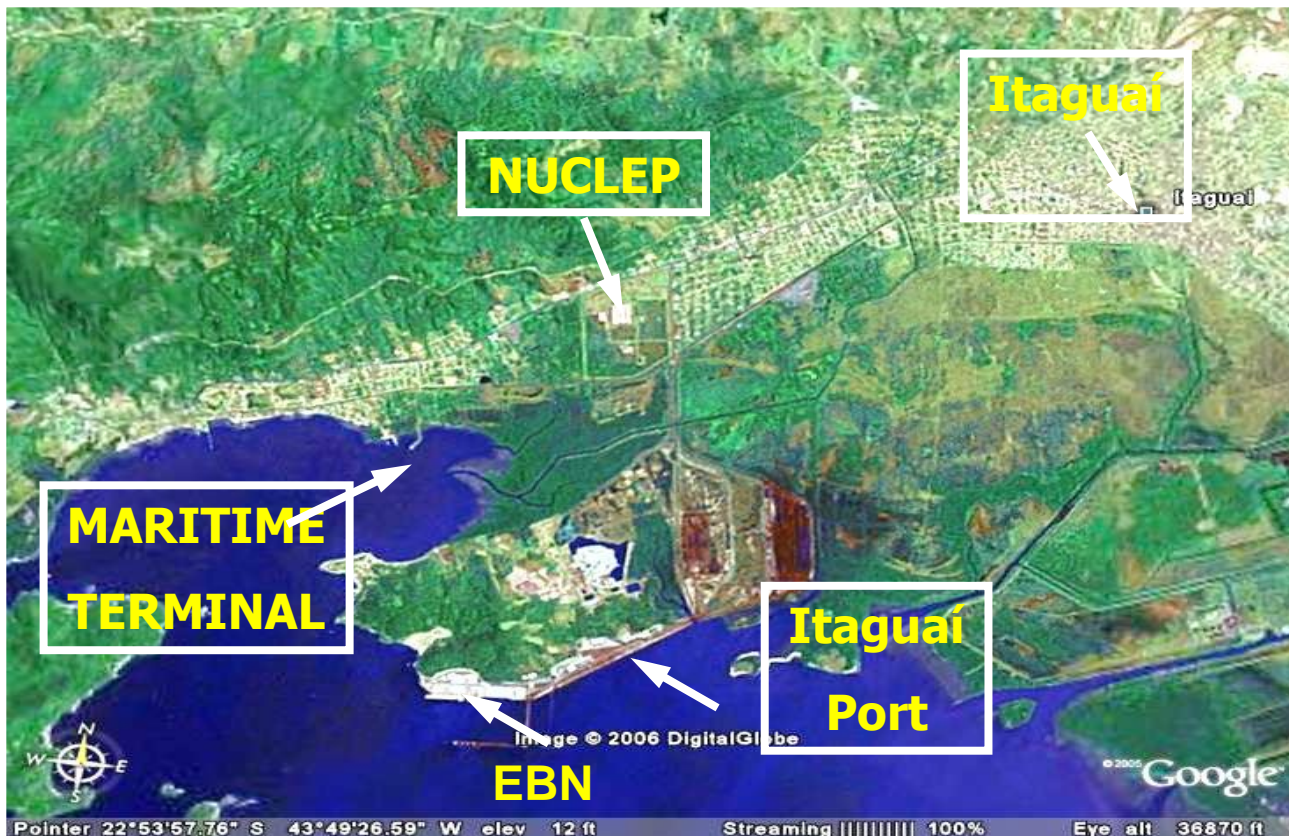
**BRAZILIAN
NUCLEAR
COMMISSION
CNEN**

**NUCLEBRÁS
EQUIPAMENTOS
PESADOS S.A. -
NUCLEP**

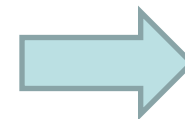


Ministério da
Ciência, Tecnologia
e Inovação





ANGRA
DOS
REIS



RIO DE
JANEIRO



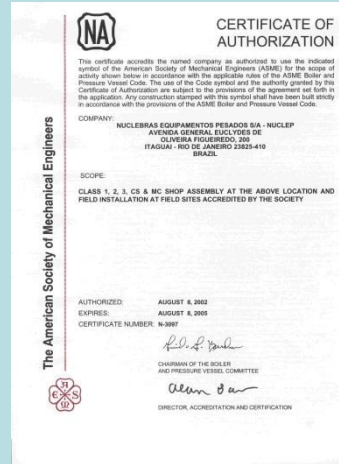
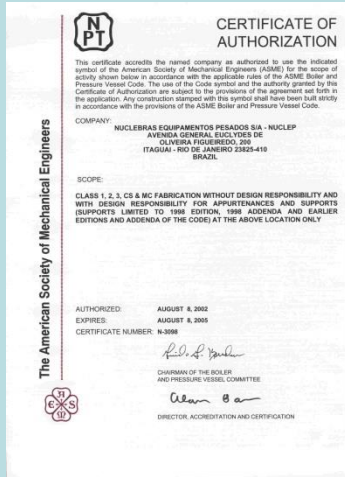
Ministério da
Ciência, Tecnologia
e Inovação



MAIN ACTIVITIES

- **HEAVY COMPONENTS FOR NUCLEAR POWER PLANTS**
(FOCUS OF THIS PRESENTATION)
- **SUBMARINE PRESSURE HULLS**
- **PRESSURE VESSELS & HEAT EXCHANGERS**
- **STRUCTURES FOR OFFSHORE PLATFORMS**

QUALITY CERTIFICATIONS



Ministério da
Ciência, Tecnologia
e Inovação



2. NUCLEAR COMPONENTS ALREADY PRODUCED BY NUCLEP



PRESSURIZER – ANGRA 3





**ACCUMULATORS
FOR ANGRA 2**



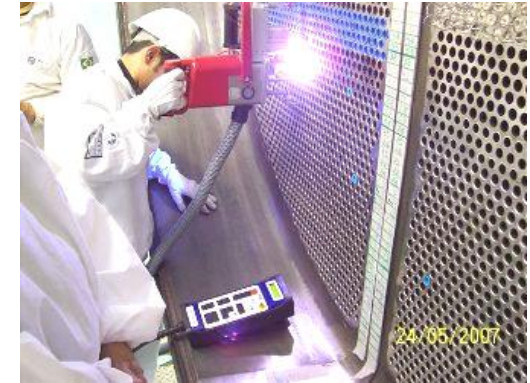
**CONDENSERS
FOR ANGRA 2**



**SUPERCOMPACT
STORAGE RACKS
FOR SPENT FUEL
ELEMENTS FOR
ANGRA 2**

REPLACEMENT STEAM GENERATORS FOR ANGRA 1

DESIGN: AREVA NP SAS / MANUFACTURING: NUCLEP

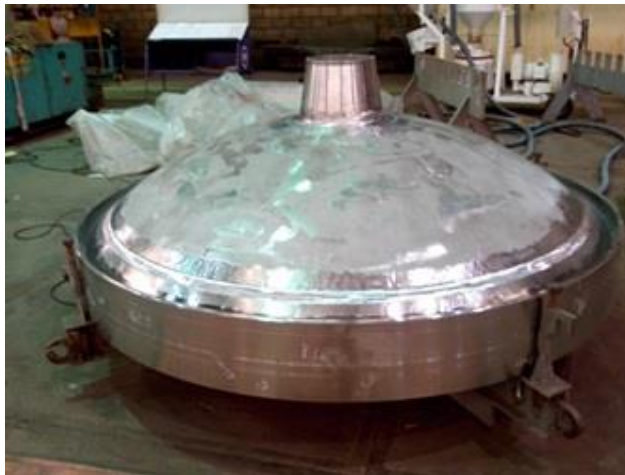


3. COMPONENTS FOR ANGRA 3

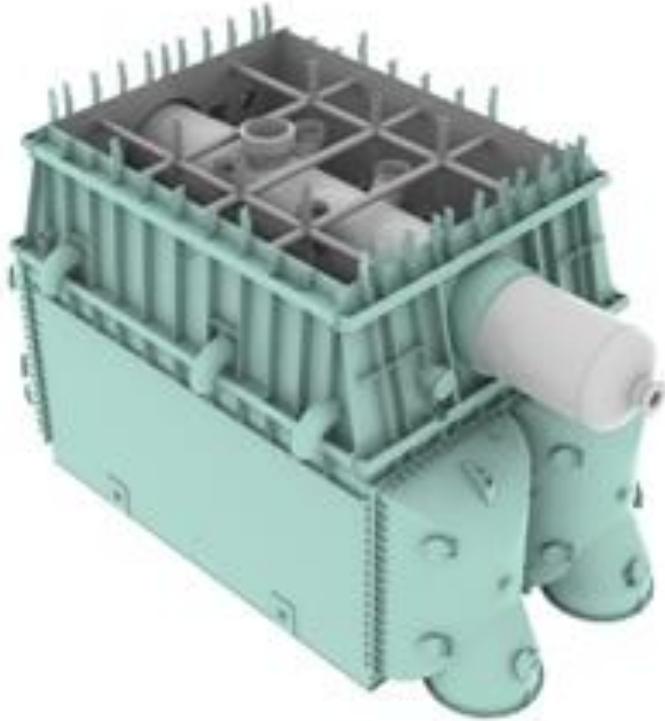


3.1 ACCUMULATORS (8 UNITS)

PROGRESS: 85% / DELIVERY SCHEDULED FOR OCTOBER/2015



3.2 CONDENSERS (3 UNITS)



PROGRESS:

CONDENSER 1: 100%

CONDENSER 2: 75%

CONDENSER 3: 10%

DELIVERY SCHEDULE:

CONDENSER 1: DELIVERED

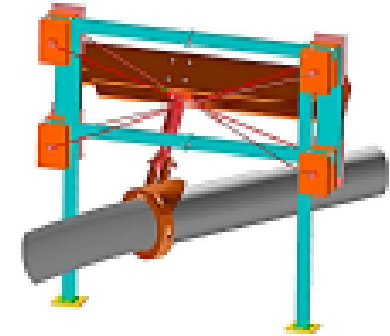
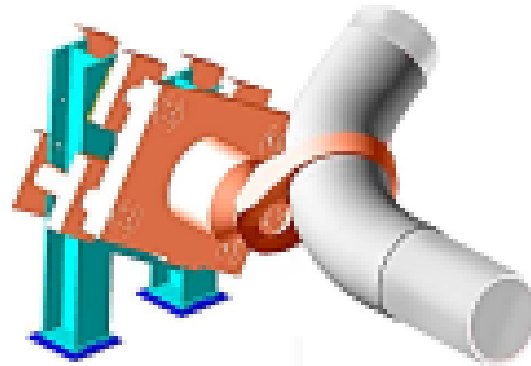
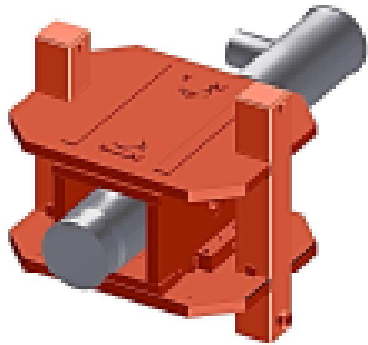
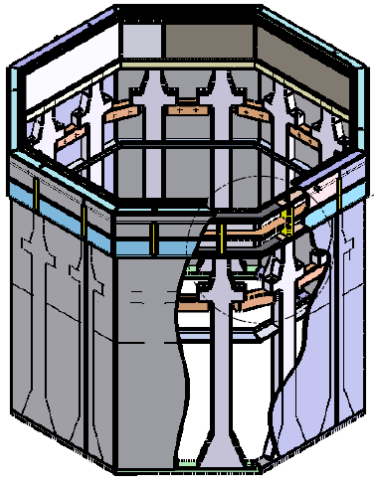
CONDENSER 2: DECEMBER, 2015

CONDENSER 3: JULY, 2016

DESIGN: SIEMENS - KWU
MANUFACTURING: NUCLEP
INDIVIDUAL WEIGHT: 500 tons

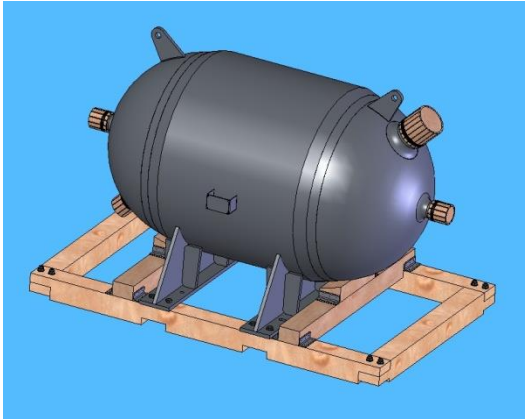


3.3 EMBEDDED STRUCTURES



4. COMPONENTS TO THE BRAZILIAN NAVY

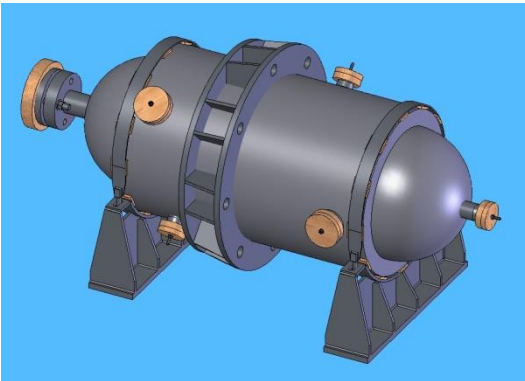
VESSELS VP1 / VP2



**COMPENSATION TANKS OF THE
EMERGENCY COOLING SYSTEM**

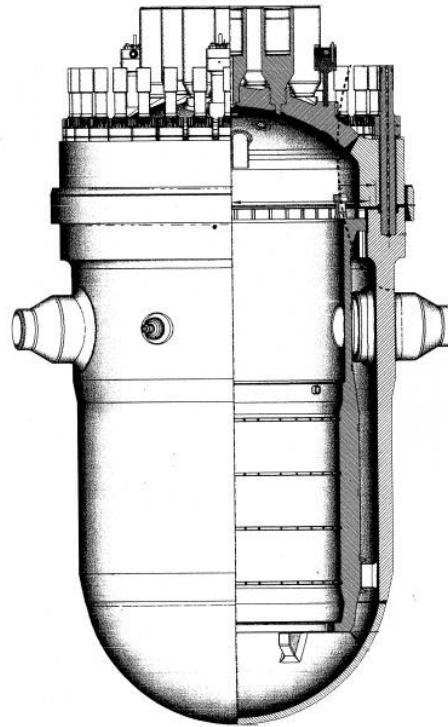
**DELIVERY SCHEDULED FOR
DECEMBER, 2015**

VESSEL DZ1

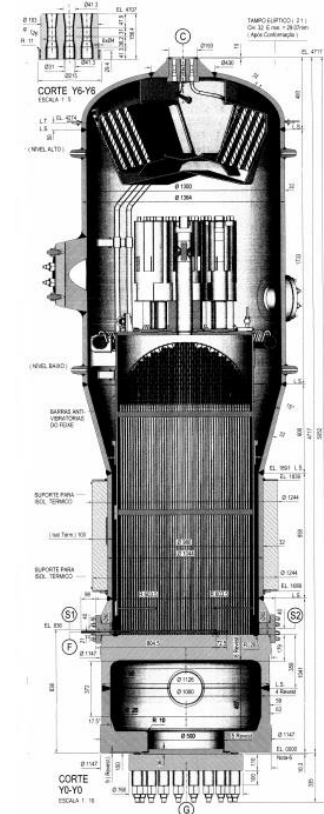


**VESSEL FOR THE PRIMARY CIRCUIT
PURIFICATION SYSTEM**

COMPONENTS FOR SUBMARINE NUCLEAR PROPULSION



REACTOR PRESSURE VESSEL



STEAM GENERATORS

5. CYLINDERS FOR STORAGE AND TRANSPORTATION OF URANIUM HEXAFLUORIDE (UF₆)

CYLINDER 30B



CYLINDER 48Y



THANKS FOR YOUR ATTENTION

www.nuclep.gov.br



Ministério da
Ciência, Tecnologia
e Inovação

